

Precision Cooling
For *Business-Critical Continuity*™

Liebert InteleCool®2
Complete, Packaged Telecom Shelter Air Conditioning



Flexible Air Conditioning Designed For The Needs Of Today's Telecommunications Shelters



Choose The Cooling Solution That's Right For Your Shelter Location

Liebert, the first name in protection for sensitive systems, has created the Liebert IntelCool[®]2 specifically for shelter air conditioning applications. More than just a shelter air conditioner, the Liebert IntelCool2 is a custom configured cooling system that fits your exact needs and budget. Designed with the flexibility to match the needs of today's telecommunications industry, you pick the level of protection your application requires and Liebert will configure a Liebert IntelCool2 for you.

Higher Availability:

- R-407C refrigerant meets new government requirements
- High efficiency scroll compressor
- Optional aluminum exterior panels for enhanced weather resistant cabinet.
- Heavy-duty, double-width blower system.
- Copper-tube, aluminum fin coils.
- Designed for operation in low ambient conditions.

Flexibility:

- Five capacities ranging from 1.5 to 5 tons.
- Easy service access — Compressor located on either left or right side.
- Field replacement/upgrades — 4 and 5 ton units available with 3 ton air openings.

Low Total Cost Of Ownership:

- Economizer option utilizes outside air for cooling to save energy.
- Self-contained unit minimizes installation time.

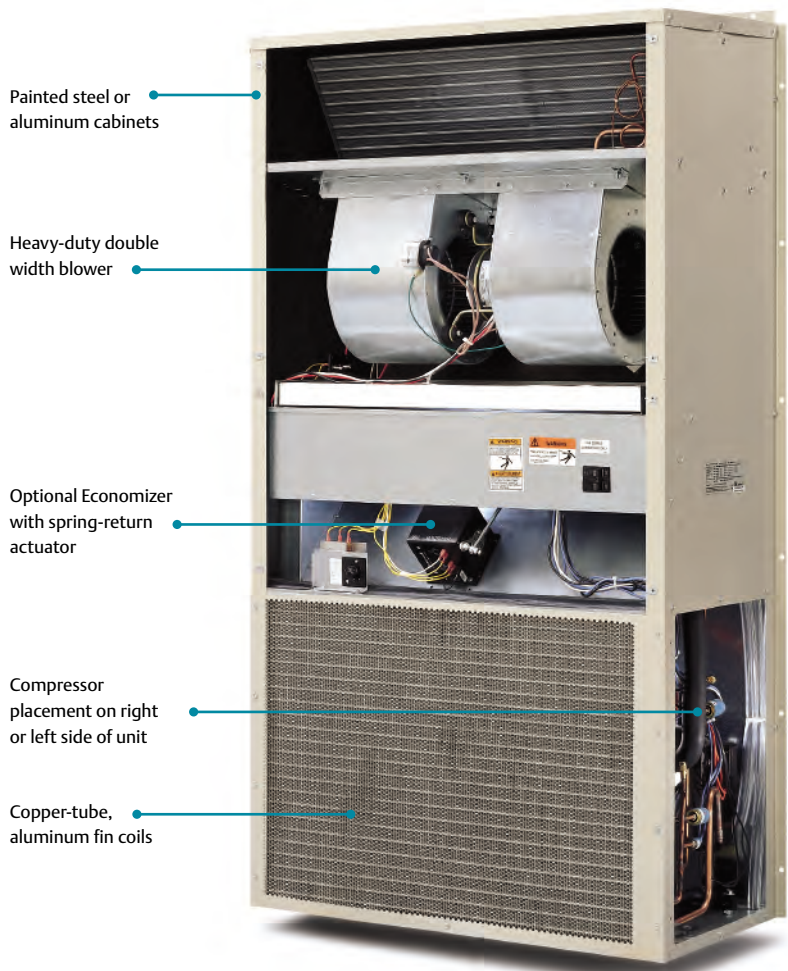
A Perfect Match For Many Critical Applications

In addition to a wide range of telecommunications shelter applications, the Liebert IntelCool2 can be used at virtually any site that requires reliable cooling in a small, lightweight package:

- Cellular
- Radio Paging
- Microwave/Satellite
- Earth Stations
- PCS Services
- Mobile/Modular
- Electronic Equipment
- Structures

Now You Can Custom-Configure Shelter Air Conditioning To Your Exact Needs and Budget

Maximum Flexibility Designed To Meet All Your Shelter Cooling Requirements





Installation time is minimized with Liebert IntelCool2's self-contained packaging.



Industry-standard evaporator supply and return openings allow the unit to be placed quickly.

Scroll Compressor

The scroll compressor is ideal in applications where noise is a factor thanks to its low noise and vibration. The compressor may be located on either the right or left side of the unit to make it easier to service dual installations.



Swift, Simple Installation

However you configure the Liebert IntelCool 2, it comes from the Liebert factory wired, piped, charged with R-407C refrigerant and factory-tested as a complete system. Each standard unit is shipped with a Nationally Recognized Testing Laboratory (NRTL) listing. If the wall openings and electric service are in place, the Liebert IntelCool 2 can be installed in as little as 30 minutes. If you need to field replace/upgrade a 3 ton air conditioner to 4 or 5 ton, select the ET3 Series (ET3xx) of Liebert IntelCool 2.

Economizer Option

The Liebert IntelCool 2 can be equipped with an economizer system that uses modulating dampers to draw in filtered, outside ambient air for cooling when the exterior temperature drops below a pre-set level. These outside air temperature settings are field adjustable. The economizer saves energy and reduces component wear.

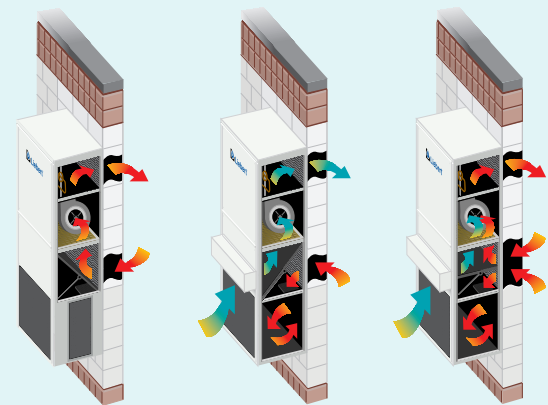
Fresh Air Damper

If required by your application, this feature allows the introduction of outside air into the shelter by means of a field-adjustable damper.



Controls

For the highest levels of reliability — and to minimize site downtime — critical shelters can be equipped with two Liebert IntelCool 2 units and an autochangeover system that balances runtime and automatically switches from one unit to another unit if required.



No Economizer

When outside temperatures are warmer than the inside air, the Economizer is closed and indoor air is recirculated to maintain proper cooling.

Full Economizer

The Economizer takes advantage of low outdoor ambients, drawing on this cool air to maintain indoor temperatures. The result is cooling at lower energy costs, also saving wear on components.

Modulated

In Modulated mode, the Economizer draws cool outside air and recirculates indoor air, reducing compressor run time.

Specifications

60Hz Models 95 °F Outdoor Ambient, Net Capacity

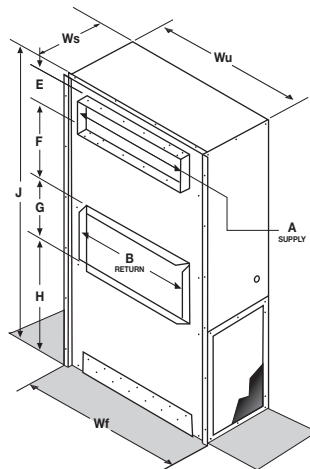
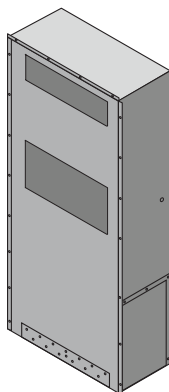
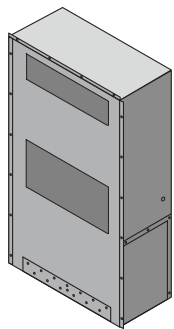
Model	ET018	ET024	ET036	ET048/ET348	ET060/ET360
80 °F DB/67 °F WB (26.7 °C DB/19.4 °C WB)					
Total BTU/H	18500	21400	32900	45600	53800
Total kW	5.4	6.3	9.6	13.4	15.8
Sensible BTU/H	15500	16900	23800	34600	37700
Sensible kW	4.5	5.0	6.9	10.2	11.1
75 °F DB/62.5 °F WB (23.9 °C DB/16.9 °C WB)					
Total BTU/H	17000	19900	30700	42300	49800
Total kW	4.9	5.8	9.0	12.4	14.6
Sensible BTU/H	14900	16400	23100	34100	36900
Sensible kW	4.4	4.8	6.8	10.0	10.8
Weight					
(Standard Unit) lbs.(kg)	330 (150)	330 (150)	330 (150)	470(213)	470 (213)
(Unit w/Economizer) lbs.(kg)	350 (159)	350 (159)	350 (159)	490(222)	490 (222)

50Hz Models 95 °F Outdoor Ambient, Net Capacity

Model	ET017	ET023	ET035	ET047/ET347	ET059/ET359
80 °F DB/67 °F WB (26.7 °C DB/19.4 °C WB)					
Total BTU/H	18200	20500	26600	38300	46600
Total kW	5.3	6.0	7.8	11.2	13.6
Sensible BTU/H	14200	15400	20700	29300	32400
Sensible kW	4.1	4.5	6.1	8.6	9.5
75 °F DB/62.5 °F WB (23.9 °C DB/16.9 °C WB)					
Total BTU/H	17100	19100	24700	35500	43600
Total kW	5.0	5.6	7.2	10.4	12.7
Sensible BTU/H	13800	14900	20400	28400	31600
Sensible kW	4.1	4.4	6.0	8.4	9.2
Weight					
(Standard Unit) lbs.(kg)	330 (150)	330 (150)	330 (150)	470(213)	470 (213)
(Unit w/Economizer) lbs.(kg)	350 (159)	350 (159)	350 (159)	490(222)	490 (222)

Model	Wu	Ws	Wf	A	B	E	F	G	H	J
1.5/2 Ton	37-1/8 (943)	17-3/4 (451)	38-3/4 (984)	20 (508)	20 (508)	8 (203)	20-3/4 (527)	12 (305)	25-1/16 (638)	69-3/4 (1772)
3 Ton	37-1/8 (943)	17-3/4 (451)	38-3/4 (984)	28 (711)	28 (711)	8 (203)	18 (457)	14 (356)	26 (660)	69-3/4 (1772)
4/5 Ton	41 (1041)	22-1/2 (572)	42-3/4 (1086)	30-1/4 (768)	29-7/8 (759)	9-7/8 (251)	30 (762)	15-7/8 (403)	25-25/64 (645)	83 (2108)
4 or 5 Ton Unit with 3 Ton Opening	41 (1041)	22-1/2 (572)	42-3/4 (1086)	28 (711)	28 (711)	8 (203)	18 (457)	14 (356)	37-1/2 (952)	83 (2108)

Wu= unit width Wf=width to flange edges A=height to top of flange



Shaded areas indicate a recommended clearance of 34" (864mm) in front and 30" (762mm) each side or 36" (914mm) each side when mounted adjacent to another unit for component access. For recommended minimum clearances refer to the installation manual.

The ET3 Series of Liebert InteleCool2 is designed as a replacement/upgrade of a 3 ton air conditioner to a 4 or 5 ton using existing air openings. This allows a unit with more cooling capacity to be installed quickly and easily. No cutting or sawing of the shelter is required.

Liebert Corporation

1050 Dearborn Drive
P.O. Box 29186
Columbus, Ohio 43229
800 877 9222 Phone (U.S. &
Canada Only)
614 888 0246 Phone (Outside U.S.)
614 841 6022 FAX

Via Leonardo Da Vinci 8
Zona Industriale Tognana
35028 Piove Di Sacco (PD)
Italy
39 049 9719 111 Phone
39 049 5841 257 FAX

Emerson Network Power Asia Pacific
7/F Dah Sing Financial Centre
108 Gloucester Rd
Wanchai
Hong Kong
852 2572 2201 Phone
852 2519 9210 FAX

liebert.com

24 x 7 Tech Support

800 222 5877 Phone
614 841 6755 (outside U.S.)
While every precaution has been taken to ensure accuracy and completeness in this literature, Liebert Corporation assumes no responsibility, and disclaims all liability for damages resulting from use of this information or for any errors or omissions.

© 2004 Liebert Corporation. All rights reserved throughout the world. Specifications subject to change without notice.

All names referred to are trademarks or registered trademarks of their respective owners.

© Liebert and the Liebert logo are registered trademarks of the Liebert Corporation.

SL-19500 (R05/09) Printed in USA

Emerson Network Power.
The global leader in enabling
Business-Critical Continuity™.

- AC Power
- Connectivity
- DC Power
- Embedded Computing
- Embedded Power
- Monitoring
- Outside Plant
- Power Switching & Controls
- Precision Cooling
- Racks & Integrated Cabinets
- Services
- Surge Protection

Emerson Network Power.com

Business-Critical Continuity, Emerson Network Power and the Emerson Network Power logo are trademarks and service marks of Emerson Electric Co. ©2004 Emerson Electric Co.